

## UNLOADING

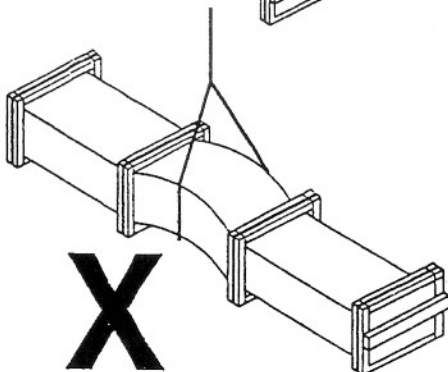
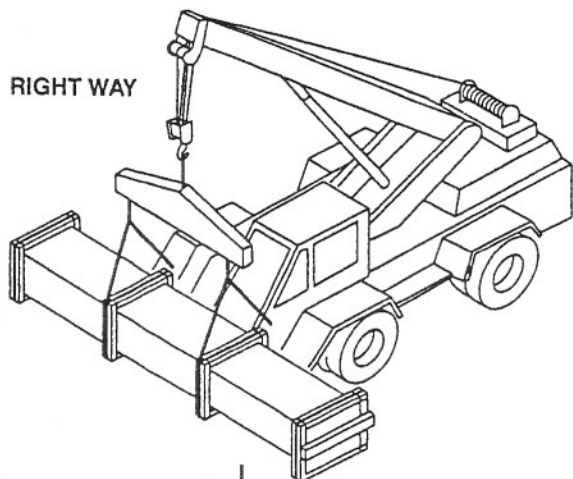
Upon receiving material, check shipment against shipping list for shortages and damages. Marlyn will not be responsible for shortages or damages unless they are noted on the shipping list.

Each bundle should be lifted at its center of gravity. Where possible, bundles should remain banded until final placement on the roof. If bundles must be opened, they should be retied before lifting.

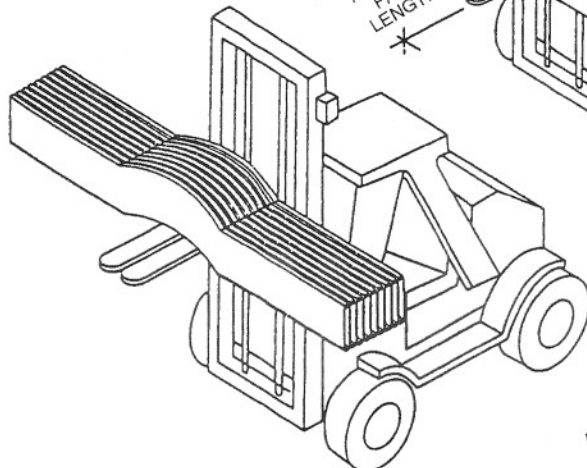
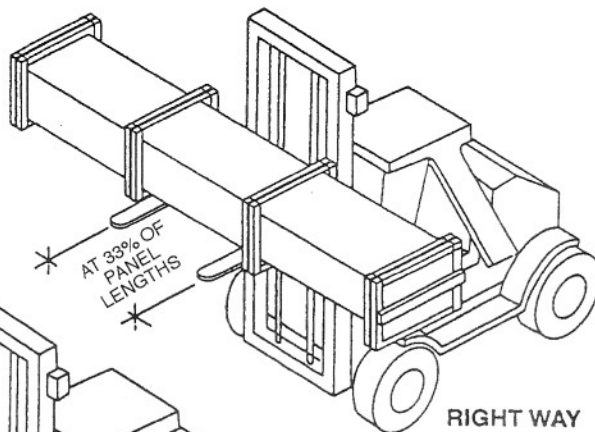
When lifting bundles with a crane, a spreader bar and nylon straps should be used. **NEVER USE WIRE ROPE OR CHAIN SLINGS, THEY WILL DAMAGE THE PANELS.**

When lifting bundles with a forklift, forks must be at 33% of panel lengths. Do not transport open bundles. Drive slowly when crossing rough terrain to prevent panel buckling.

RIGHT WAY



WRONG WAY



WRONG WAY

### CAUTION

Improper unloading and handling of bundles and crates may cause bodily injury or material damage. The manufacturer is not responsible for bodily injuries or material damages during unloading and storage.